

# Interactive Flat Panel

## USER MANUAL



TOUCH SCREEN SOLUTION

# Contents

<b>Interactive Flat Panel</b> .....	<b>1</b>
<b>1.Important information and safety cautions</b> .....	<b>1</b>
<b>2.CAUTION</b> .....	<b>3</b>
<b>3.How to install</b> .....	<b>4</b>
<b>6.OPS Interfaces</b> .....	<b>23</b>
7.wireless transmitter .....	24
<b>2 Turn off the Monitor</b> .....	<b>25</b>
<b>9.Quick use guide</b> .....	<b>26</b>
9.1 Free accessories list .....	26
9.2 How to turn on-off device .....	26
9.3 How to install WIFI antenna .....	26
9.4 How to connect PC .....	27
<b>10.Troubleshooting Guide</b> .....	<b>29</b>

## 1. Important information and safety cautions

- 1 Please read the instructions carefully before using and keep it for future reference.
- 2 Installing the device on stable place in case of falling and injuries, especially for children. When mounting the device on a wall, be sure to install the product according to the method recommended by the manufacturer. This is a safety issue.
- 3 Keep the product away from high temperature and humidity environment.
- 4 Regular cleaning can prolong the service life of the machine. Before cleaning, be sure to turn off the power and unplug the power cord.
- 5 The way to keep the screen clean and effective is to add a small amount of softener or cleaner in warm water, wet it with a soft cloth, wring it out and wipe it with it. If there is extra water on the screen, make sure it air drying before you open the machine.
- 6 To remove dirt or dust from the machine case, wipe with soft, dry, flannelette. Be sure not to use wet cloth.
- 7 If you want your machine to rest for a period of time, it is best to unplug the power to prevent any damage caused by lightning or radio waves.
- 8 Do not use attachments which are not recommended by the manufacturer. Use of improper attachments can result in accidents. If machine need to repair, make sure the replacement the same characteristics and performance as the original parts. Use of unauthorized parts can result in fire, electric shock or other danger.
- 9 When damage requiring service, just unplug the power cord from the AC outlet. Do not open the machine arbitrarily. If you have any questions, please contact the relevant customer service personnel or maintenance personnel.

**Notice:** The default power-on password of the smart board education all-in-one is: **2580**

## 2. CAUTION

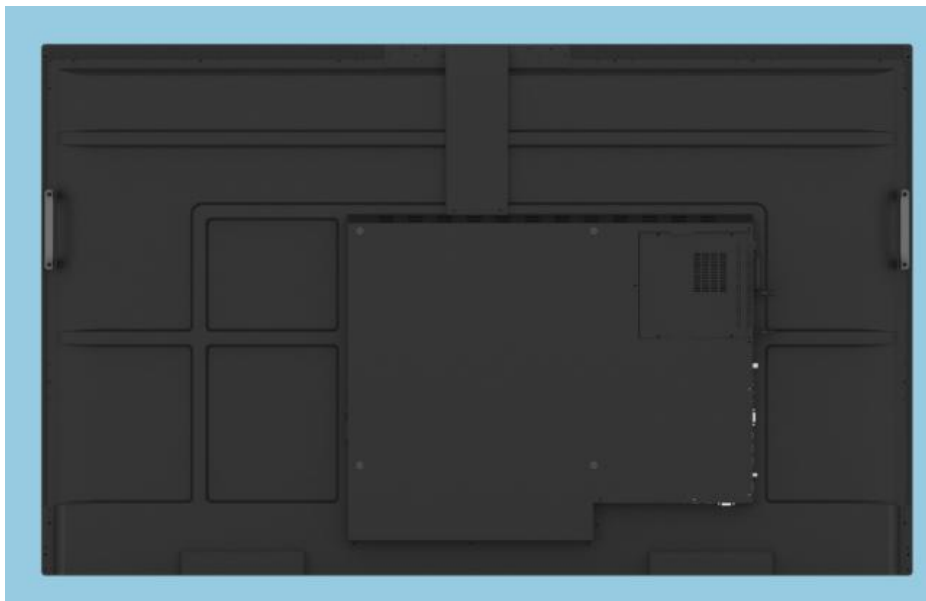
- 1 Changes or modifications not expressly approved by the party responsible for compliance could void the user's authority to operate the equipment.
- 2 This user manual includes detailed usage instructions for your product. Please read this manual thoroughly.
- 3 Figures and illustrations in this user manual are provided for reference only and may differ from actual equipment appearance.
- 4 Equipment design and specifications may be changed without notice.

## 3.How to install

### 3.1 How to install wall mounted stand

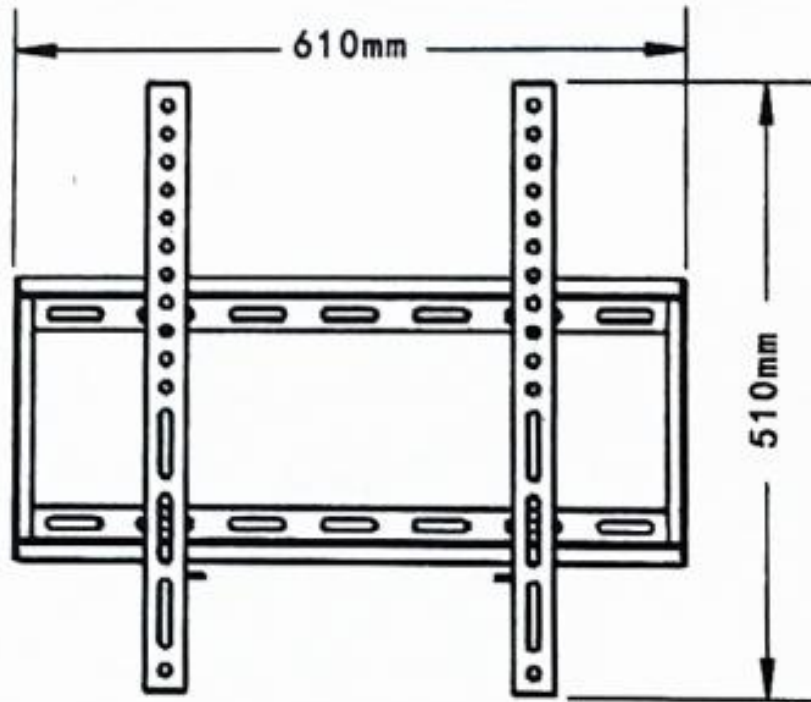
#### Step 1

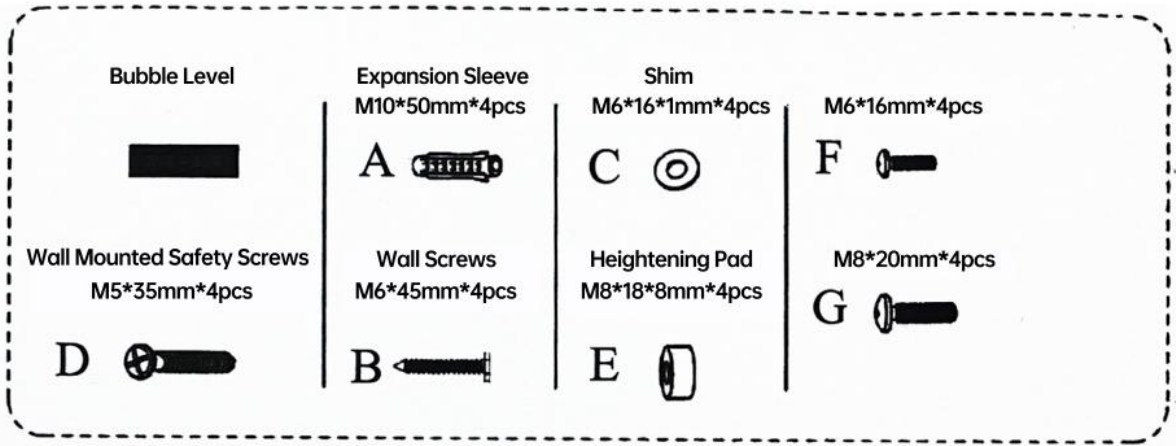
Please put the equipment on flat surface(down the screen), between the equipment and the mesa, there should be a soft object space (e.g. rubber pad, cotton, foam, etc.) in order to avoid the equipment surface to be bruised as shown in the figure below:



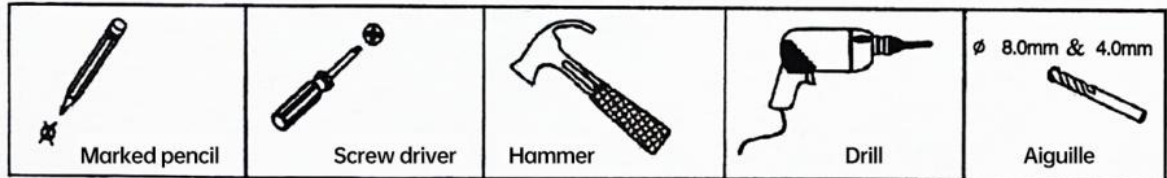
Step 2

Please check the assembling accessories before installing. Different model and size different accessories. The picture is for reference only, the specific kind prevail. Please refer to following pictures to installing.

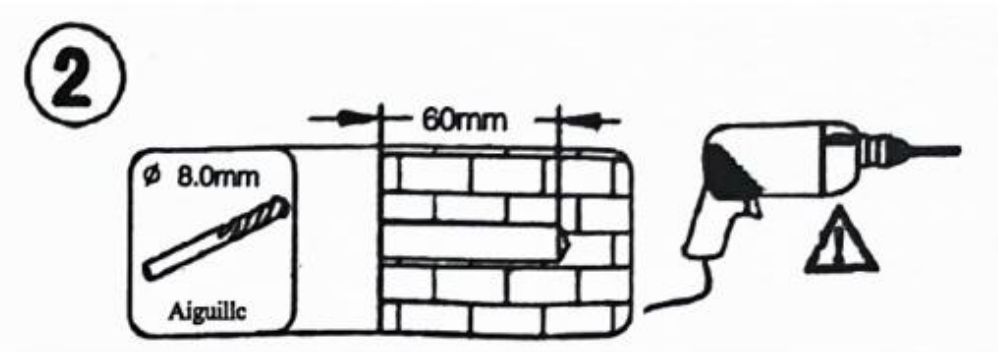
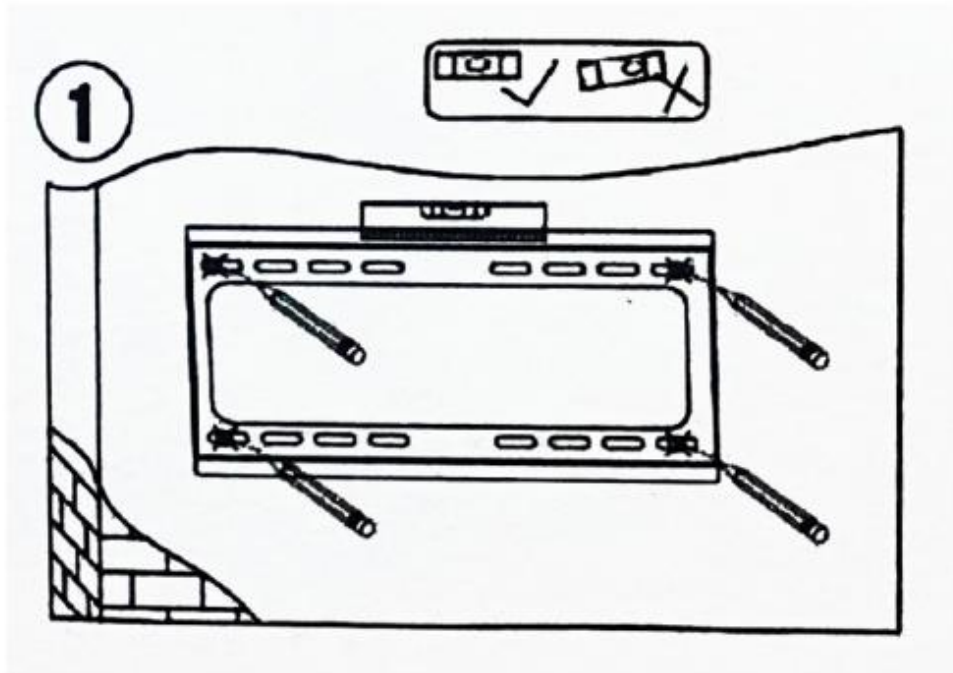




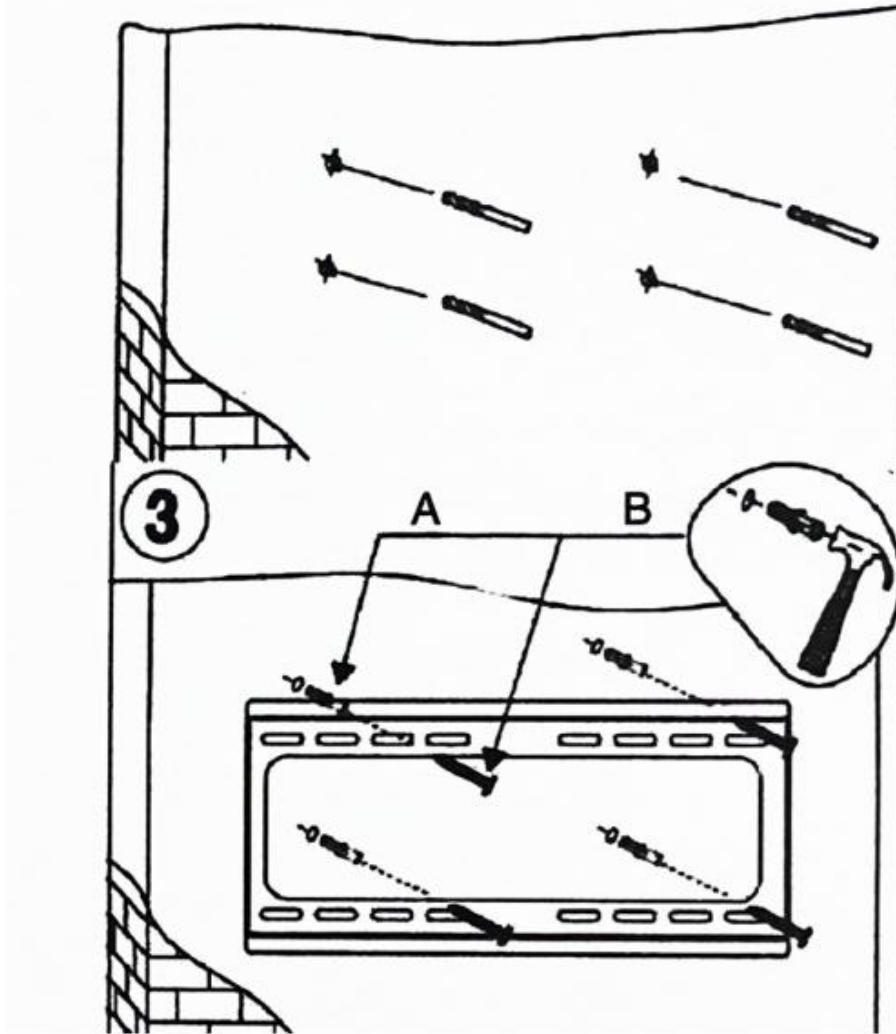
Herramientas necesarias



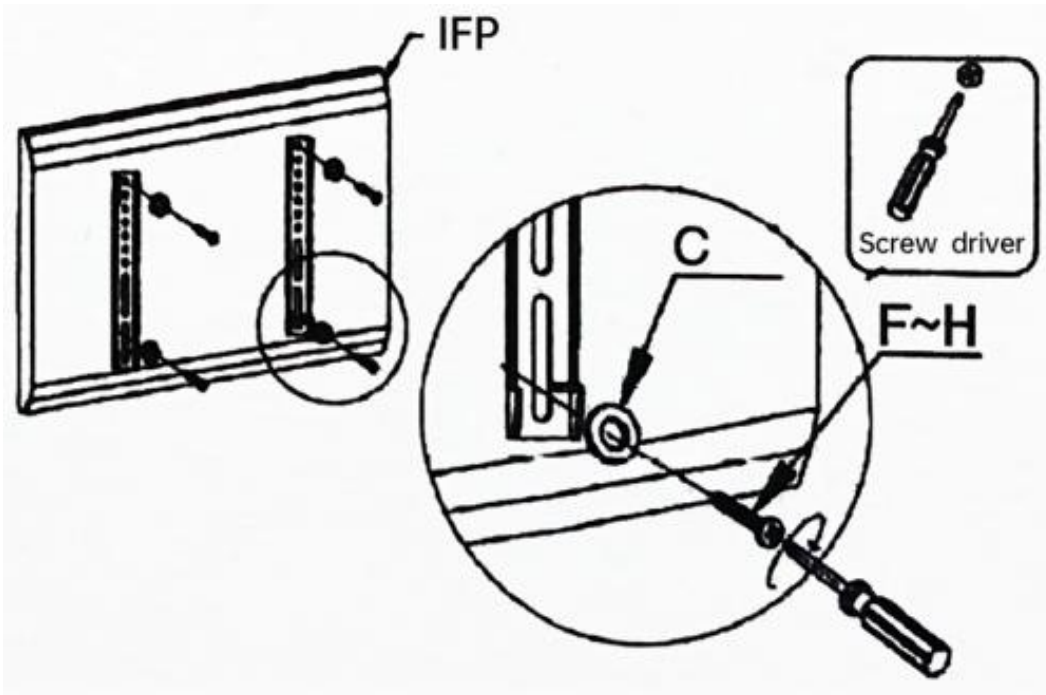
Step 3 : Install the IFP on the bracket and install the safety screw.



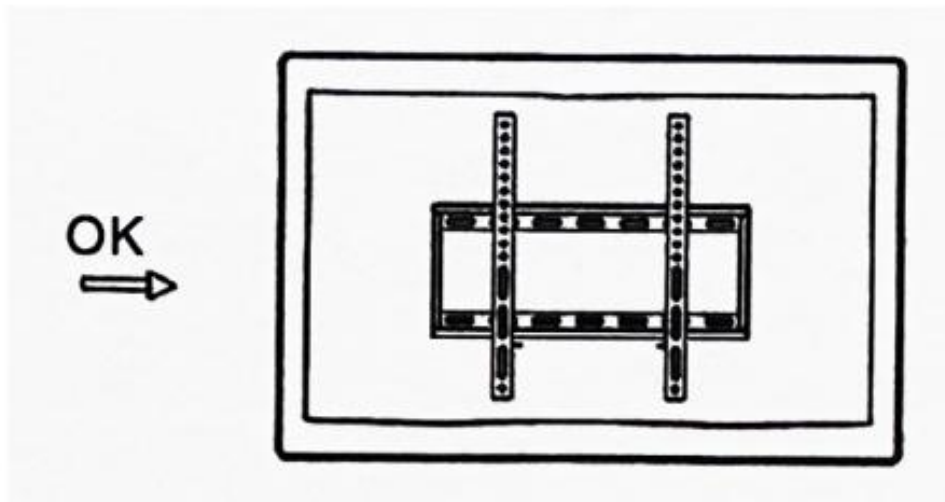
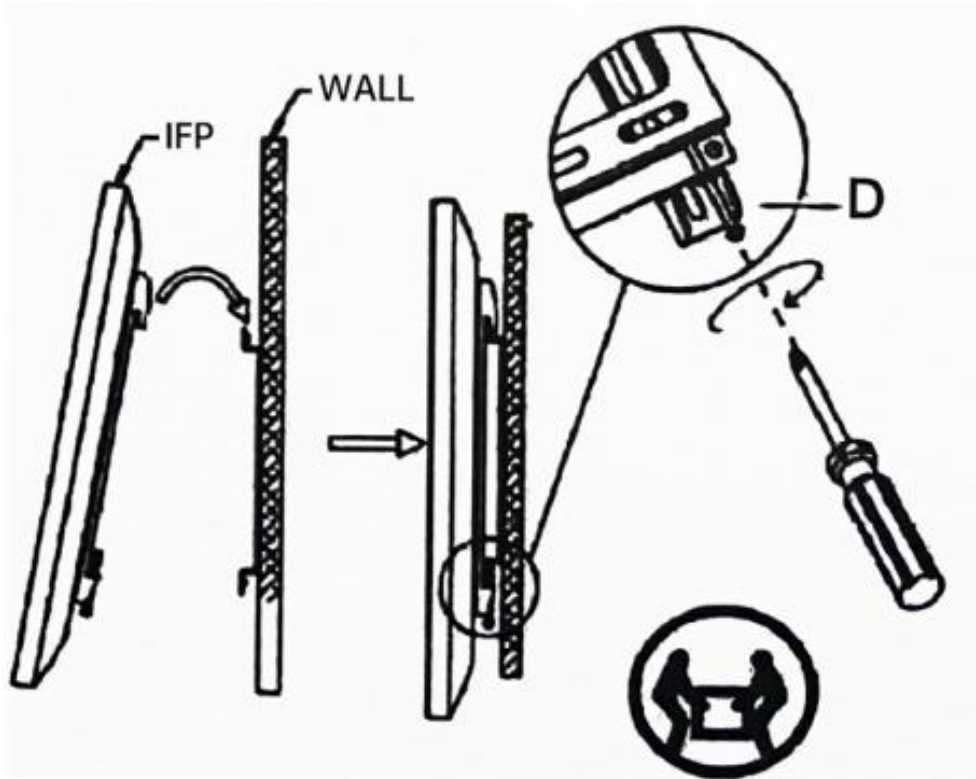
Strong walls are recommended



Step 4: Bracket arm mounted on the back of IFP



Step 5 : Install the IFP on the bracket and install the safety screw.

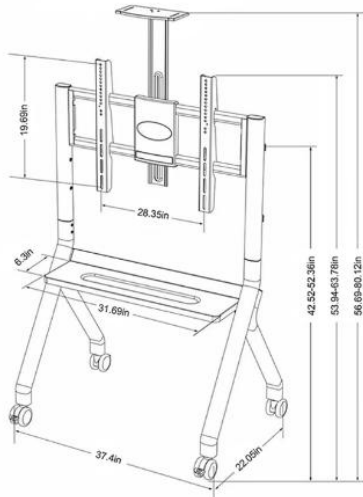


### 3.2 How to install floor stand (optional)

42-75 inch advise to use that floor stand as below:

## Applicable mobile stand models

<b>Product Model</b>	<b>Applicable size</b>
HY570	42-75in
<b>Load range</b>	<b>VESA</b>
≤80KG	100*100mm ~700*500mm
<b>Product color</b>	
■ Silver	










**Step 1**

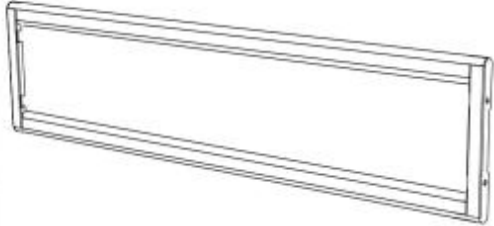






















Please put the equipment on flat surface(down the screen), between the equipment and the mesa, there should be a soft object space (e.g. rubber pad, cotton, foam, etc.) in order to avoid the equipment surface to be bruised as shown in the figure below:



**Step 2:**

Please check the assembling accessories before installing. Different model and size different accessories. The picture is for reference.

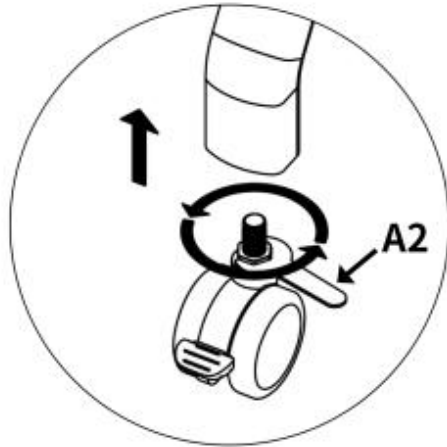
						
Tightening Direction	Loosening Directions	Screw Driver	Measuring Tape	Adjust	Manual	Hexagonal Wrench

Bill of Materials							
1X 		1X 		1X 			
1X 				Left Right			
2X 	1X 	1X 	1X 	1X 			
	Left	Right		4X 			
A1 1X 	A2 1X 	B1 10X 	C1 4X 	C2 4X 	D1 2X 	D2 4X 	E1 2X 
		M8×20mm	M8×20mm	φ8×1.5mm	M6×10mm	M5×10mm	M5×18mm
F1 4X 	F2 4X 	G1 4X 	G2 4X 	H1 4X 	H2 4X 		
M8×25mm	M6×25mm	M5×25mm	M4×25mm	φ15×φ8.2×10mm	φ5×1mm		

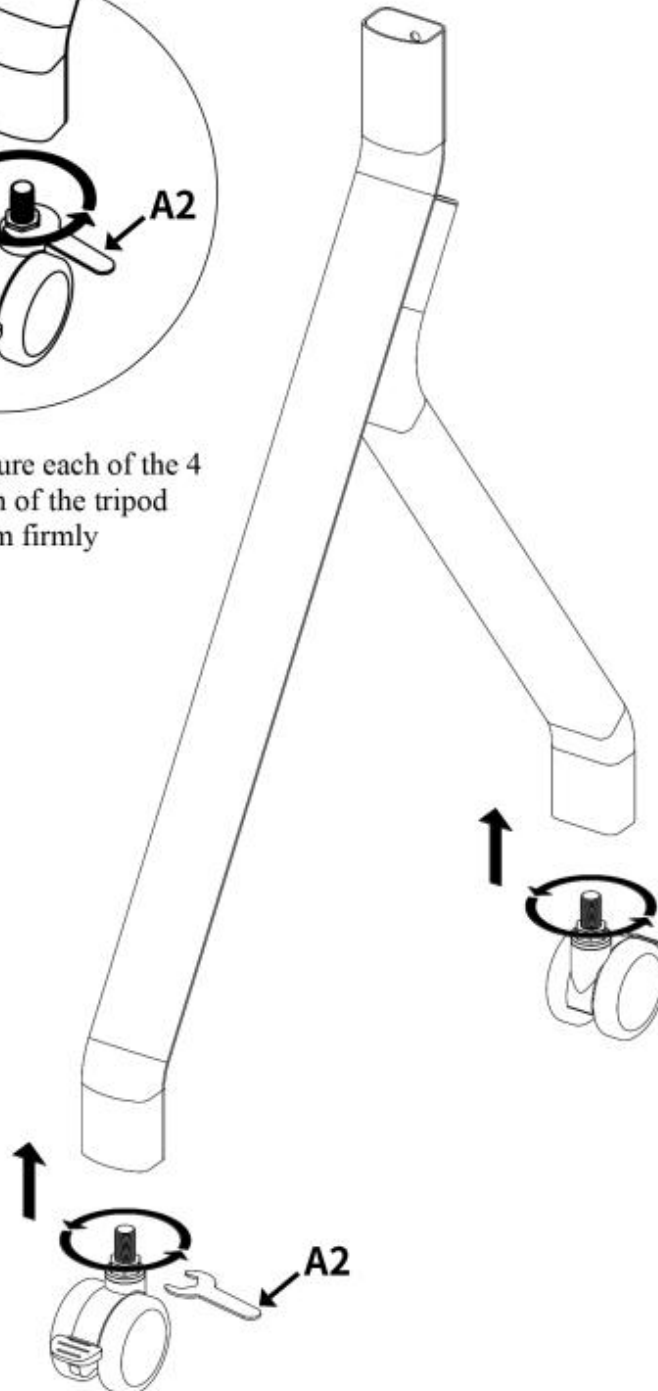
Please refer to following pictures to installing.

**Step 3: Wheel installation**

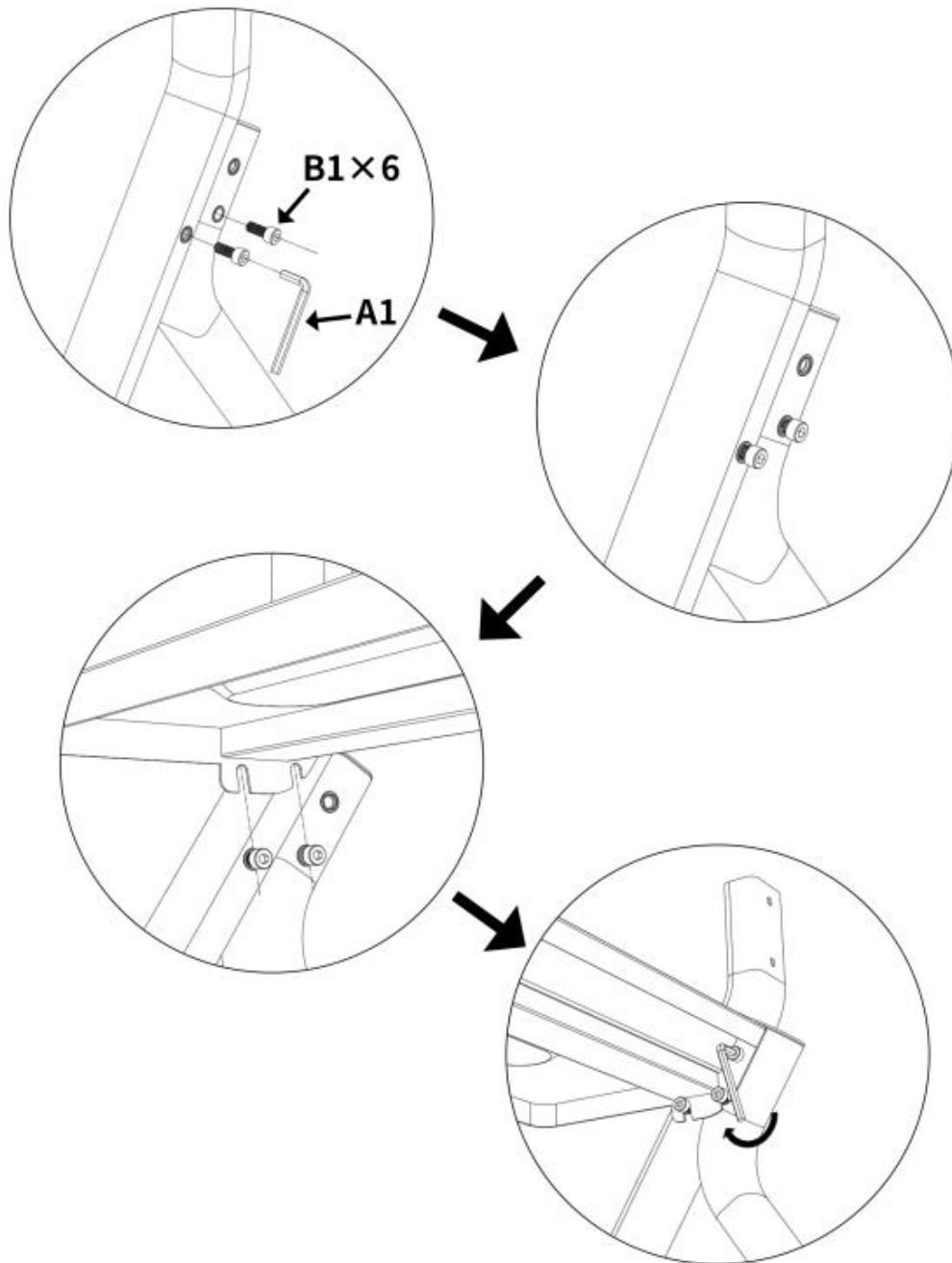
Use a wrench to secure each of the 4 wheels to the bottom of the tripod legs and tighten them firmly.



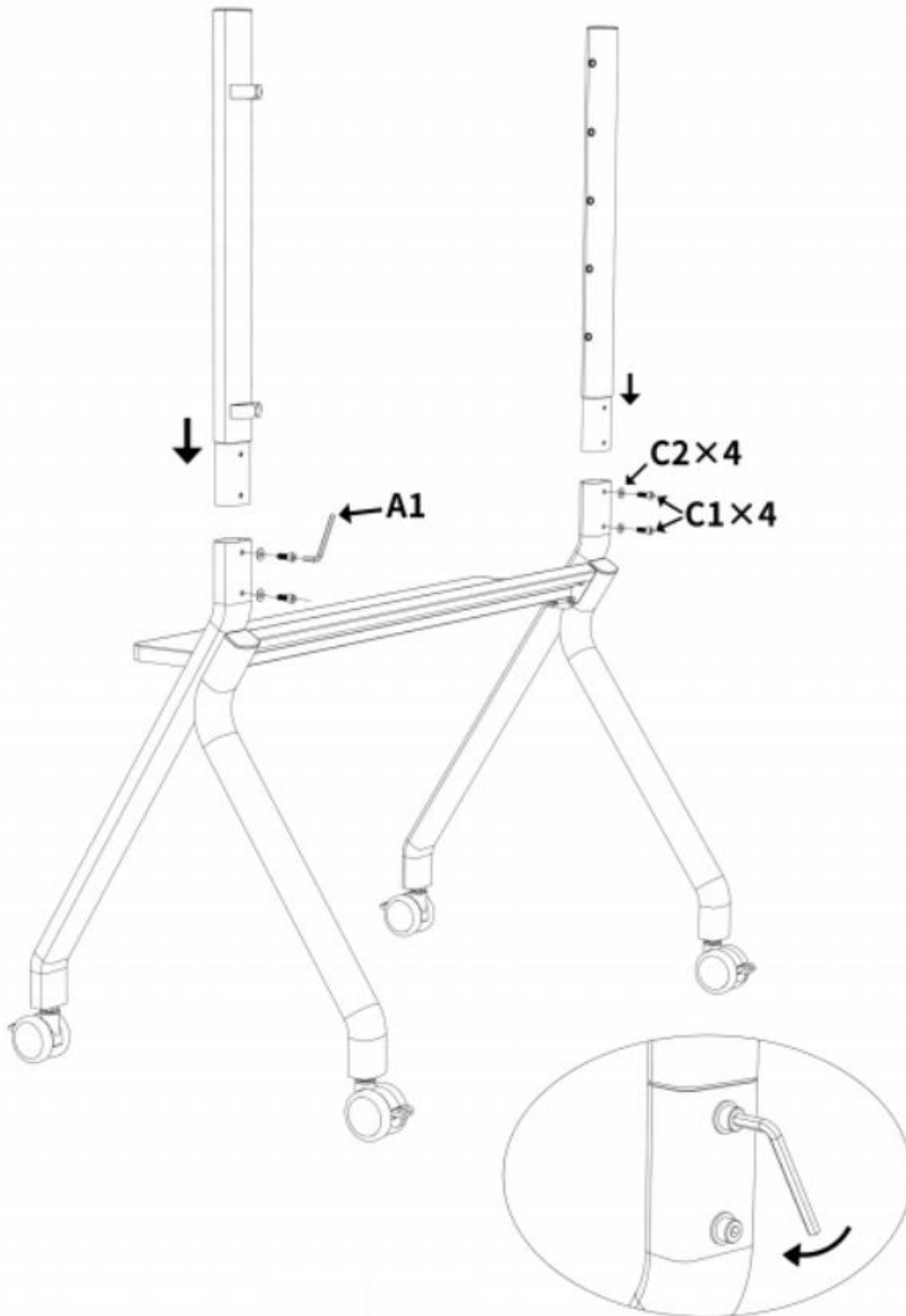
Use a wrench to secure each of the 4 wheels to the bottom of the tripod legs and tighten them firmly



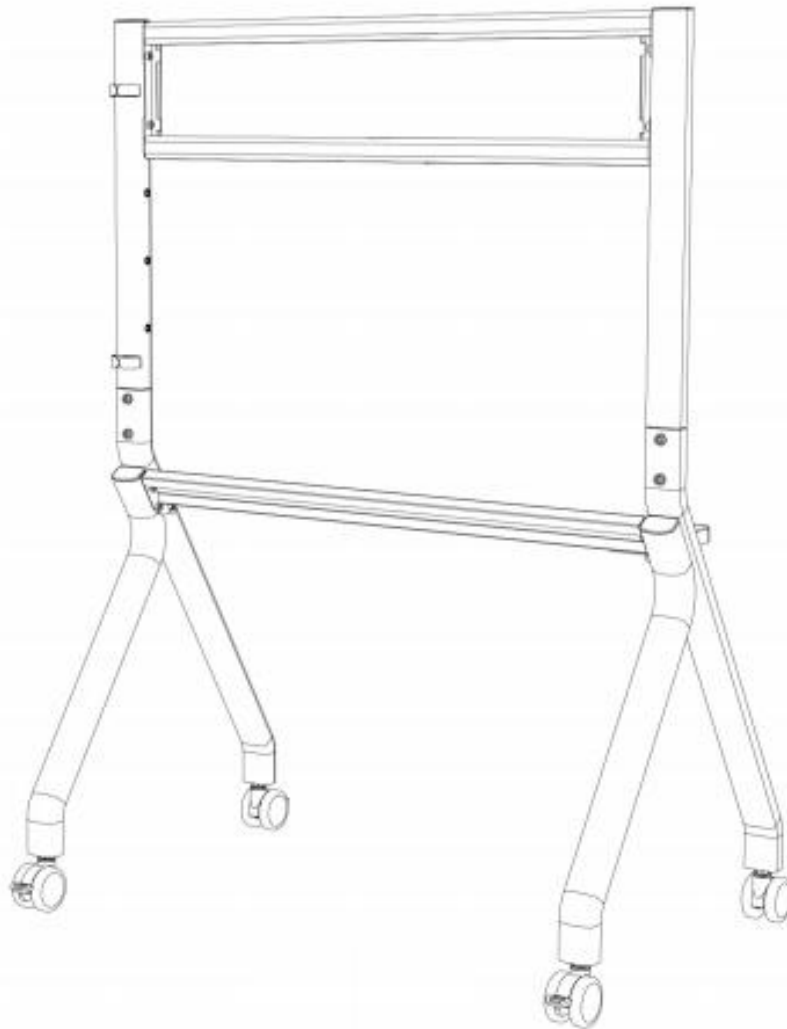
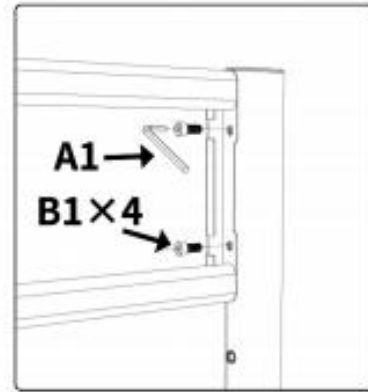
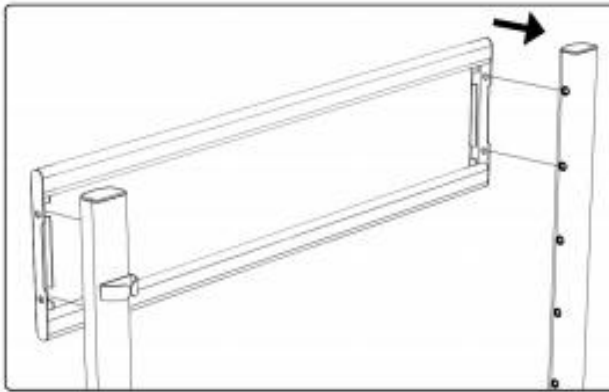
Step 4: Tray installation



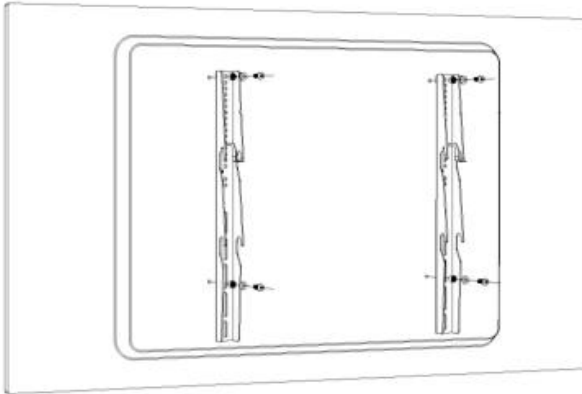
Step 5: Column Installation



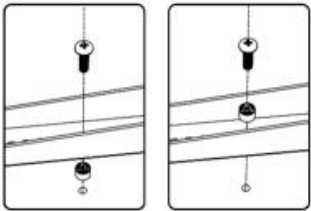
Step6: Mounting Plate Installation



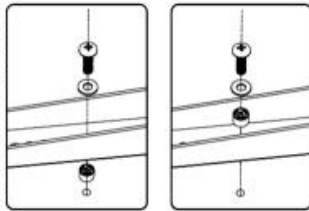
## Step 7: TV Mounting Hook Installation



F1/F2 uses H1

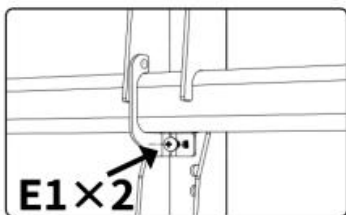
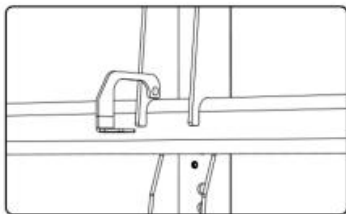
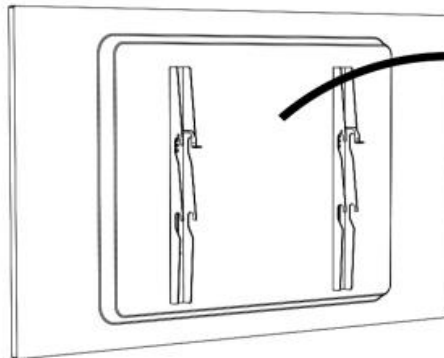
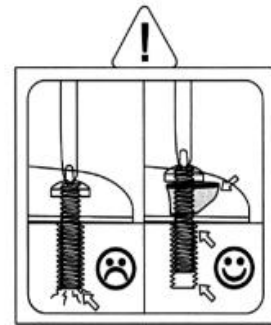


G1/G2 uses H1 and H2

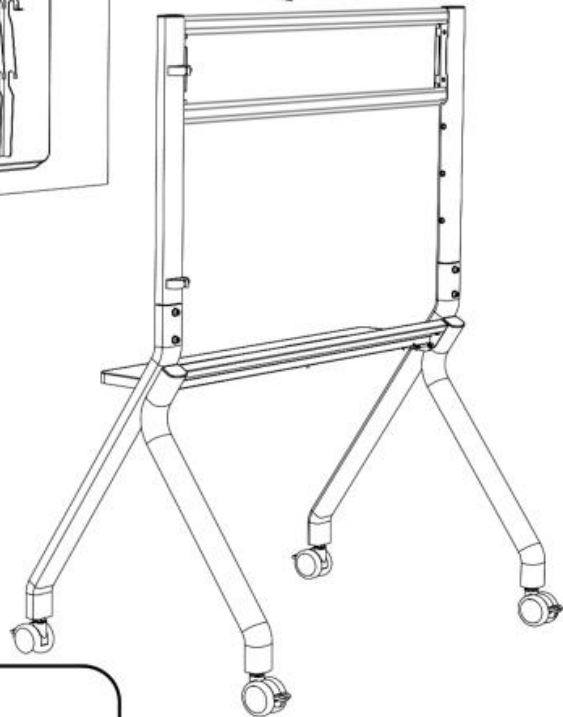


**Reminder:**

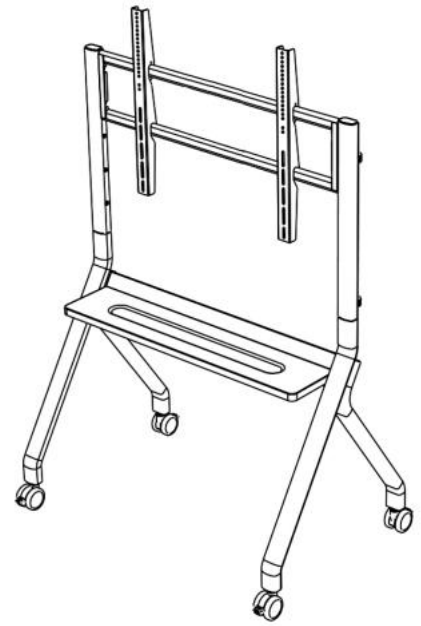
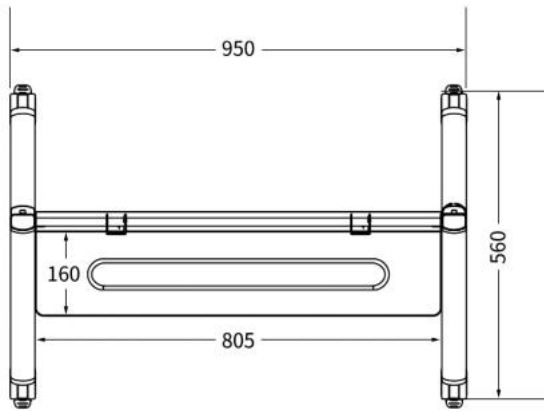
When installing the TV, it is essential to use additional height spacers to avoid damaging your TV equipment due to excessively long screws during the locking process.

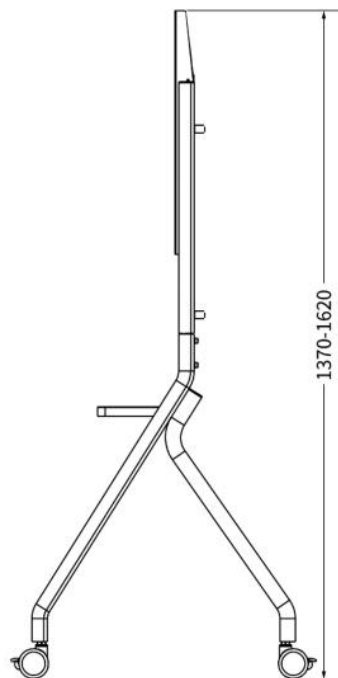
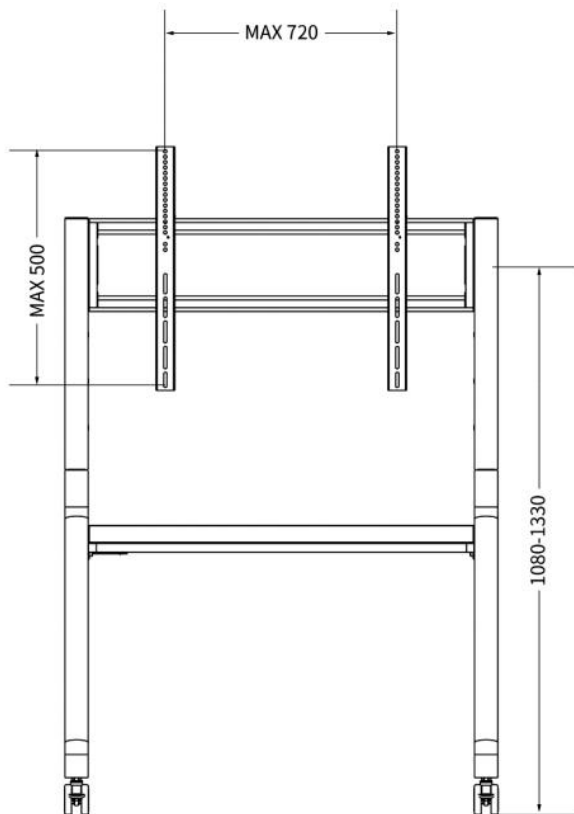


**Warning:**  
Always make sure to lock the screws tightly!



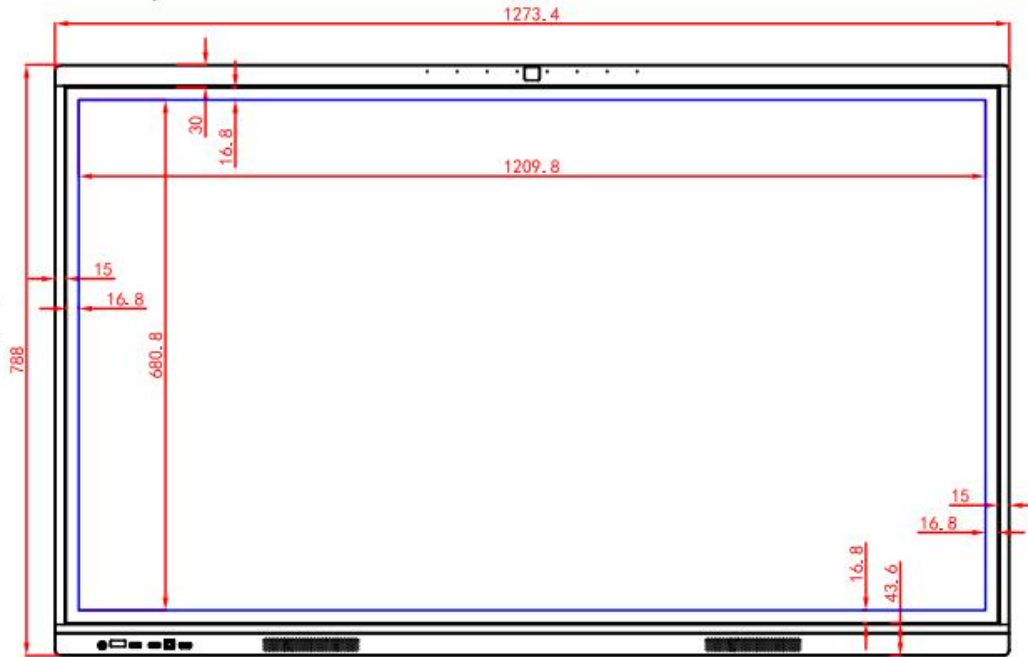
### Step 8: Product Technical Specifications



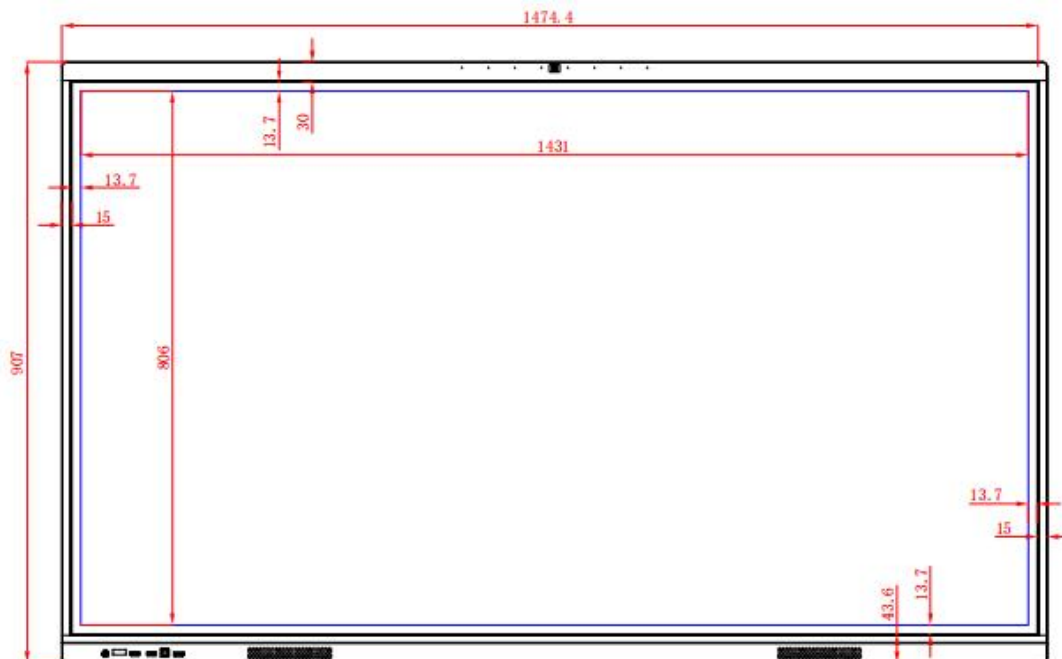


## 4. Ports and keys instructions

1 Model size:55"



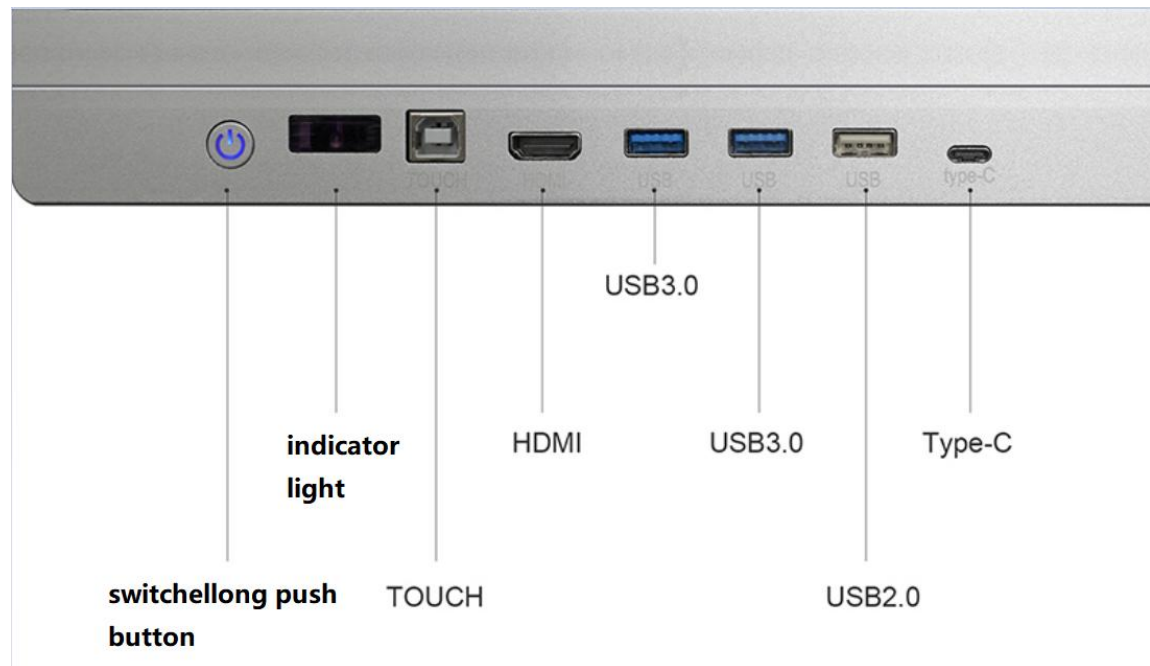
2 Model size:65"



## 5.Display and Interfaces

### 1 Android System Connections

(Pictures for reference only, subject to our available products.)



1 power switch	Power On/Off
2 TOUCH	Touch Signal Output
3 HDMI	HDMI IN
4 USB	USB 3.0
5 USB	USB 3.0
6 USB	USB 2.0
7 Type-C	OTG

## 6.OPS Interfaces



1 Audio	Standard audio 3.5mm
2 LAN	Internet Interfaces,connect RJ45 to Internet
3 USB	USB 3.0 x2pcs
4 USB	USB 3.0 x 2pcs
5 USB	USB 3.0 x 1pcs
6 USB	USB 3.0x 1pcs
7 HDMI	HDMI 2.0 Support to 4096x2304@60Hz
8 DP	HDMI DP Support to 4096x2304@60Hz

## 7.wireless transmitter

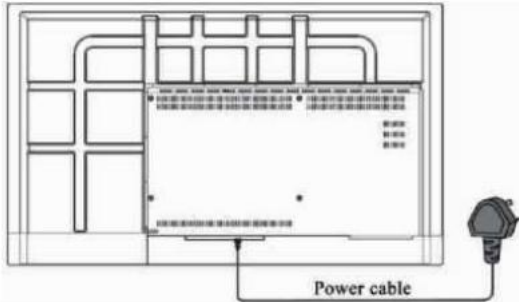


Connect by USB port  
Need to buy separately  
Support Android System ONLY (The image is only a reference)

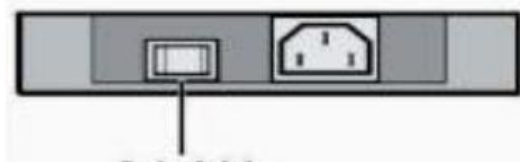
## 8. Basic Operatio

### 1 Turn on the Monitor

Step 1: Use 100V-240V 50/60Hz AC as the monitor power supply. The power plug is fully plugged in and the outlet ground wire is well connected.



Step 2: Turn on the Rocker switch (back side of the monitor, next to power outlet). Enter standby state, the power indicator turns to red color.



Step 3: Press the "Power" button on the front panel or the remote control standby button to turn on the monitor. The OPS (built-in computer) will be turned on together. The power indicator will be blue after turning on.

### 2 Turn off the Monitor

Step 1: Press the PC power to turn of the OPS in advance.

Step 2: Press the "Power" button on the front panel or the remote control standby button to turn off the monitor. The power indicator will be red after turning off.

Step 3: Turn off the Rocker switch or plug off the power cable.

Notices:

- Be sure to turn off the PC power before turning off the power, otherwise it may Damage the monitor.

## 9.Quick use guide

### 9.1 Free accessories list

If any items missed or damaged, please contact your customer service immediately.

No.	Part Name	Qty
1	Wall mounted stand	1set
2	Screws	1bag
3	Antenna	2pcs
4	Remote control	1pcs
5	Writing pen	<b>2PCS</b>
6	User manual	1pcs
7	Wireless Transmitter(optional)	1pcs
8	Floor stand(optional)	1pcs

### 9.2 How to turn on-off device

The device power line is on the right of device, plug the power, turn on side power key, the front power light which on the right of device turn blue, that shows device turn on successfully.

Press the front power key on the middle of device or press remote control power key, the power light turn red, which shows the device turn off, if press front power key on the middle of device again, then turn on device again.

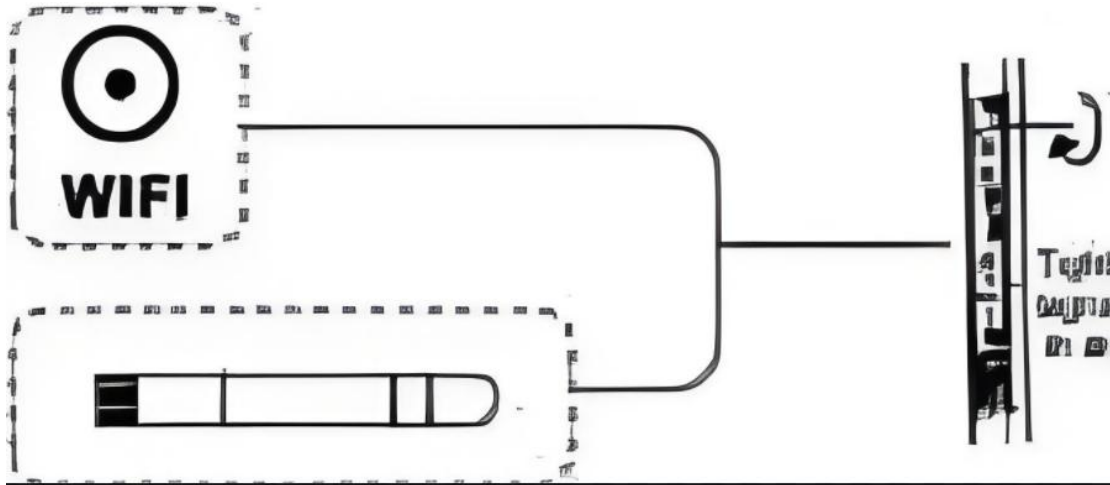
If device need to turn off for a long time, please turn off the side power key and unplug power line.

### **NOTES:**

- 1) Avoiding restarting many times in a short time.
- 2) Different size different.

### 9.3 How to install WIFI antenna

Directly turning WIFI antenna on the antenna location tightly, the pictures is only for reference, specific WIFI location and quantity please refer to real object.



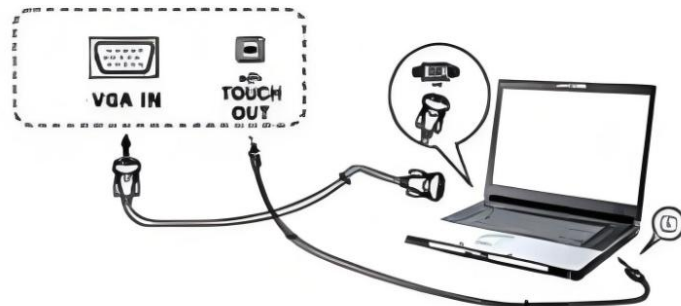
#### 9.4 How to connect PC

There are two methods to connect PC, one is by VGA cable (prepared by yourself), another is by HDMI cable (prepared by yourself or free accessory)

##### Method 1

Connect device VGA input port (on the right of device) and PC VGA

**port by VGA cable.**



##### **Method 2**

Connect device HDMI input port ( on the right of device or on the front of device) and PC HDMI port by HDMI cable.

Advising that if use front HDMI input port, the cable < 3 M, if use side HDMI input port, the cable < 5 M.

##### NOTES:

If need touch screen function, please connect device USB touch out port (on the right of device) and PC USB port by USB cable. (Please refer to method 1 picture)



## 10.Troubleshooting Guide

No power	<ol style="list-style-type: none"> <li>1. Please check power socket, whether plug into the socket.</li> <li>2. If still no power, please unplug waiting 1 minute, restart to plug and turn on device again</li> </ol>
There is no signal on the blue screen after the device is turned on	Please turn on-off device, restart.
No pictures	<ol style="list-style-type: none"> <li>1. Check the WIFI antenna connected well or not</li> <li>2. Switching to other channels for a try</li> </ol>
Pictures is clear but no voice(PC mode)	<ol style="list-style-type: none"> <li>1. Check the device is under mute state.</li> <li>2. Choose the audio icon on the right of screen desktop-right clickclick broadcast equipment-appeartwo loudspeakers-choose the one that no checking—confirming</li> </ol>
The voice is loud, but screen color is not good	Please add the brightness and contrast ratio
The WIFI can not connect in Windows system	<ol style="list-style-type: none"> <li>1. Check whether the WIFI antenna connect well or not</li> <li>2. Check whether install WLAN card driver, if not, please download, then install into computer by USB flash disk.</li> </ol>
4k screen no display 4K resolution(3840*2160)	<ol style="list-style-type: none"> <li>1. Please confirm the computer support 4K solution firstly.</li> <li>2. Then click right key on blank of computer desktop-click screen resolution-adjust screen resolution—click advance setting—click monitor-refresh rate, become 30Hz—confirming and saving changes</li> </ol>

Kindly contact our after-sales service dep. or authorized agency if any question you have.

Warranty Card

Name:

Tel:

Add:

Model:  55in-S-baiban     65in-S-baiban

Serial No: FST-Smart Board-20240826

Date of Purchase: Order date for you

To guarantee your interests, please fill out this warranty card carefully. Please check the following warranty terms.

Thank you for purchasing our product. This warranty card is the aftersale service credential. It is warranted to the original owner for one year from the date of purchasing against manufacturing defects in material and workmanship under normal use. This warranty only covers the repair and replacement, doesn't include consumables, shells, accessories, cables, software and user manual. Only original purchase can claim this warranty. After warranty expired or ownership changed, the owner should take the responsibility to pay for parts and labor. In all cases, it will be the responsibility of the owner to pay for the delivery cost to get product repaired.

This warranty is not applicable to the followings:

- 1 Damage due to accident, misuse, abuse, vandalism or natural disaster (i.e. lightning, earthquake).
- 2 Improper or inadequate maintenance.
- 3 Fail to provide the valid warranty card or invoice of purchase.
- 4 Unauthorized modification or commercial use (i.e. the warranty is tampered/altered or transferred).
- 5 Damage in return transit
- 6 Normal wear of parts (wear & tear that occurs over time and with use).
- 7 Repairs made by unauthorized service technician.

Customer service contact details:

1) WhantsApp: 86+18838253860

2) WhantsApp: 86+18617394796

3) Email Address: zhaoxu678@outlook.com